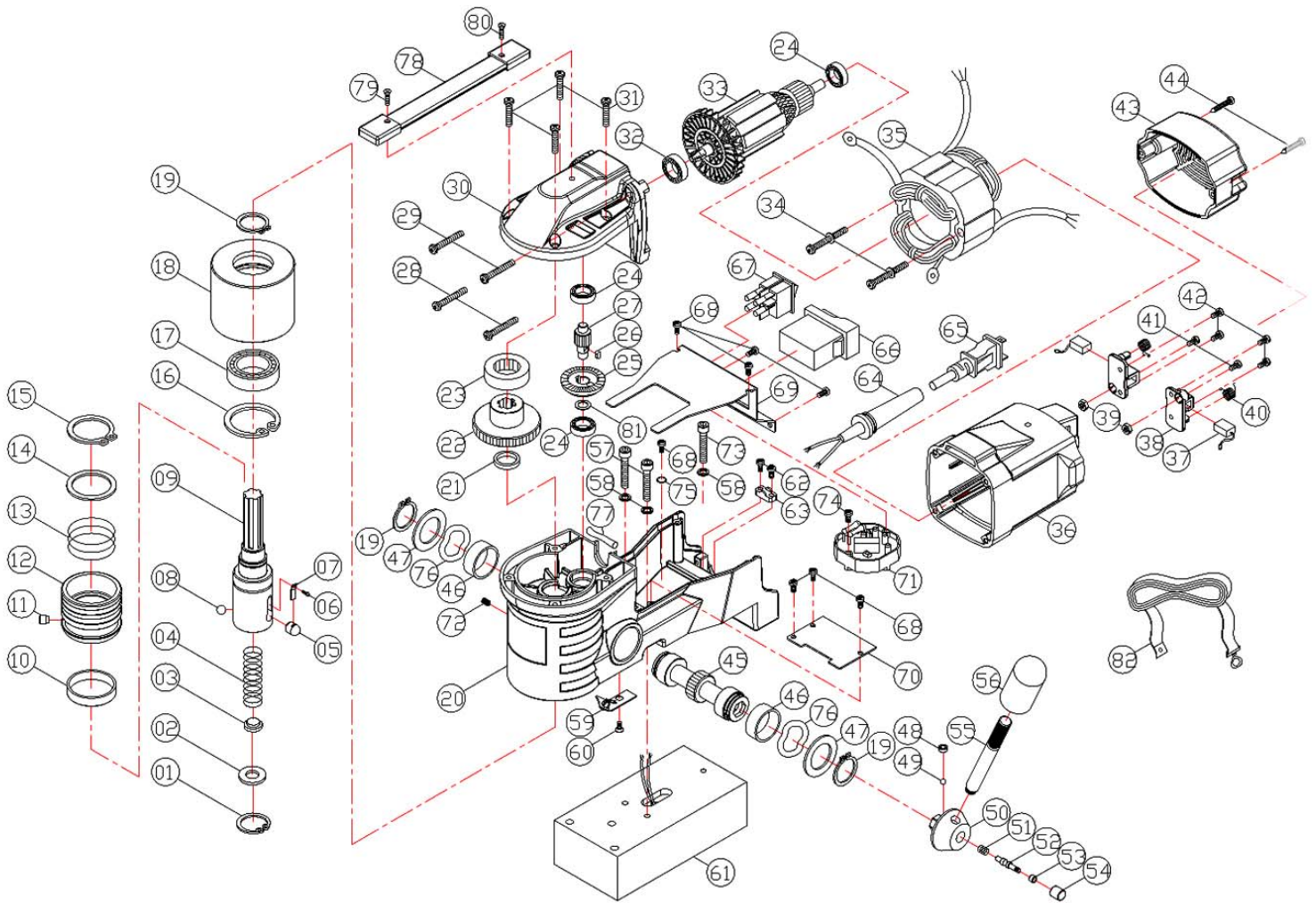


JEPSON®

MAGPRO 35 KOMPAKT

Technical drawing 1/1



MAGPRO 35 KOMPAKT

NO	Article No.	English Parts Name	Size	Q'ty
1	MA7501	INTERNAL CIRCLIP	R-19	1
2	MA35K02	ARBOR WASHER	ø10 x ø18.5 x 0.8	1
3	MA35K03	COOLANT SEAL	ø10.2 x ø12 x 15	1
4	MA35K04	SPRING	ø1.2 x ø10 x ø12.4 x 7T x 54L	1
5	MA35K05	LOCK PIN		1
6	MA35K06	SET SCREW	M3 x 4	1
7	MA35K07	LOCK PIN SPRING		1
8	MA35K08	CHECK BALL	ø8	1
9	MA35K09	SPINDLE		1
10	MA35K10	RING	ø40 x ø44 x 9	1
11	MA35K11	COLLAR PIN		1
12	MA35K12	QUICK-RELEASE COLLAR		1
13	MA35K13	SPRING	ø2 x ø39 x ø43 x 3T x 30L	1
14	MA35K14	SPRING SEAT RING	ø35.1 x ø44.5 x 2	1
15	MATP137	EXTERNAL CIRCLIP	S-35	1
16	MA5030	INTERNAL CIRCLIP	R-47	1
17	MA35K17	BEARING	6005 zz	1
18	MA35K18	SPINDLE GUIDE		1
19	MA35K19	EXTERNAL CIRCLIP	S-25	3
20	MA35K20	GEAR CASE		1
21	MA35K21	BUSHING	ø18 x ø23 x 4	1
22	MA35K22	QUILL GEAR	M1.25 x 47T	1
23	MA35K23	BUSHING	ø30 x ø36 x 12	1
24	JEP23014	BALL BEARING	608 zz	3
25	MA35K25	BEVEL GEAR	M1.0 x 46T	1
26	MA35K26	PARALLEL KEY	M1.0 x 46T	1
27	MA35K27	INTERMEDIATE GEAR	M1.25 x 9T	1
28	MAEB01	SCREW	M5 x 25	2
29	MAEB16	SCREW	M5 x 30	2
30	MA35K30	GEAR COVER		1
31	MAEB01	SCREW	M5 x 25	4
32	MA35S34	BEARING	6001 2RS	1
33	MA35K33	ARMATURE (220 V)	M1.0 x 6T	1
34	MA3514	SCREW	M5 x 60	2
35	MA35K35	STATOR (220 V)		1
36	MA35K36	MOTOR HOUSING		1
37	MA3532	CARBON BRUSH (SET, 2 Pices)	7 x 11	1
38	MA35K38	BRUSH HOLDER (SET, 2 Pices)		1
39	MA3577	NUT	M4	2
40	MA5047	BRUSH SPRING		2
41	MA5049	SCREW	M4 x 10	2
42	MA3538	SCREW	M4 x 12	4
43	MA35K43	MOTOR TAIL COVER		1
44	MA3580	SCREW	M4 x 25	2
45	MA35K45	CRANK SPINDLE		1
46	MA35K46	CRANK BUSHING	ø28 x ø32 x 12	2
47	MA35K47	THRUST WASHER	ø25.5 x ø40 x 2	2
48	MA35K48	BALL SEAT		1
49	MA35K49	CHECK BALL	ø5	1
50	MA35K50	CRANK HUB		1
51	MA35K51	SPRING	ø0.6 x ø4.1 x ø5.3 x 4T x 8.5L	1
52	MA35K52	PLUNGER		1
53	MA35K53	PLUNGER GUIDE	ø4.1 x ø10 x 4.5	1
54	MA35K54	BUTTON		1
55	MA35K55	CRANK LEVER		1
56	MA35K56	GRIP		1
57	MA35K57	SOCKET CAP SCREW	M6 x 30	2
58	MA3578	SPRING WASHER	M6	3
59	MA35K59	LED LAMP		1
60	MA5004	FLAT HEAD SCREW	M4 x 6	1
61	MA3573	MAGNET BASE	164 x 80 x 48	1
62	MA3538	SCREW	M4 x 12	2
63	MA3537	CABLE CLIP		1

MAGPRO 35 KOMPAKT

64	MA35K64	CORD ARMOR		1
65	MA3586	POWER SUPPLY CABLE		1
66	MA3559	MOTOR SWITCH (220 V)		1
67	MA3560	MAGNET SWITCH (220 V)		1
68	MAEB31	SCREW	M4 x 8	8
69	MA35K69	SWITCH BRACKET		1
70	MA35K70	MOUNTING PLATE		1
71	MA35K71	OVERLOAD UNIT		1
72	MA5056	SCREW	M5 x 10	1
73	MA35K73	SOCKET CAP SCREW	M6 x 16	1
74	MA5054	SCREW	M4 x 16	1
75	MA5054	SUN WASHER	M4	1
76	MA35K76	WASHER	ø30 x ø38.5	2
77	MA35K77	SEAL	5 cm	1
78	MA35K78	Strap		1
79	MA35K79	Screw	M5 x 8	1
80	MA5056	Screw	M5 x 10	1
81	MA35K81	Flat Washer	10.1 x 14 x 1	1
82	MA35K82	Safety Belt		1